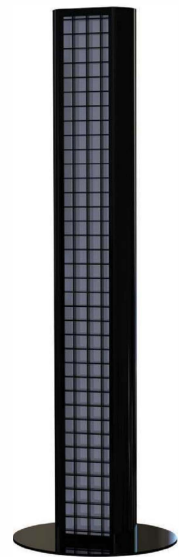






Part Number	Description	MSRP
cMe2	cMe2 dimmable light with credenza mount	\$ 795.00
cMe2/Wall	cMe2 dimmable light with wall mount	\$ 850.00
CM-cMe2	cMe2 credenza mount	\$ 38.00
WM-cMe2	cMe2 wall mount bracket	\$ 95.00



580 Mayer Street - Building # 7 - Bridgeville, PA 15017 USA

Phone: 1.412.206.0106

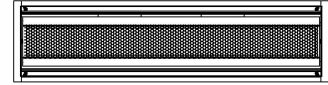
www.brightlines.com



© 2023 Brightline LP All Rights Reserved

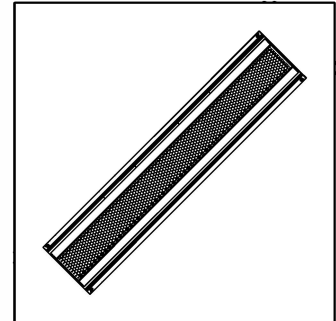
Dimming/Power Options	Module and Tile Option	MSRP
Low Voltage (remote driver)	one module fixture (6-in x 24-in)	\$ 825.00
0-10V (Analog)	one module fixture (6-in x 24-in)	\$ 880.00
DALI	one module fixture (6-in x 24-in)	\$ 945.00
Lutron LDE1	one module fixture (6-in x 24-in)	\$ 945.00
PoE*	one module fixture (6-in x 24-in)	\$ 1,310.00

* Consult factory to ensure PoE system compatibility.

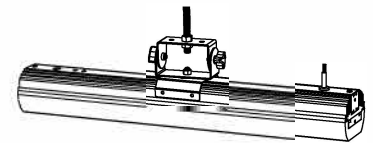


Dimming/Power Options	Module and Tile Option	MSRP
Low Voltage (remote driver)	one module fixture (24-in x 24-in) 45° panel only	\$ 925.00
0-10V (Analog)	one module fixture (24-in x 24-in) 45° panel only	\$ 980.00
DALI	one module fixture (24-in x 24-in) 45° panel only	\$ 1,045.00
Lutron LDE1	one module fixture (24-in x 24-in) 45° panel only	\$ 1,045.00
PoE*	one module fixture (24-in x 24-in) 45° panel only	\$ 1,410.00

* Consult factory to ensure PoE system compatibility.



Part Number	Module and Tile Option	MSRP
MOD-L35-S-SM-XX	low voltage (remote driver), spot optic, surface-mount fixture	\$ 850.00
MOD-L35-F-SM-XX	low voltage (remote driver), flood optic, surface-mount fixture	\$ 850.00
MOD-L35-S-CM-XX	low voltage (remote driver), spot optic, c-clamp-mount fixture	\$ 850.00
MOD-L35-F-CM-XX	low voltage (remote driver), flood optic, c-clamp-mount fixture	\$ 850.00
MOD-Z35-S-SM-XX	PoE (60W), spot optic, surface-mount fixture	\$ 1,350.00
MOD-Z35-F-SM-XX	PoE (60W), flood optic, surface-mount fixture	\$ 1,350.00
MOD-Z35-S-CM-XX	PoE (60W), spot optic, c-clamp-mount fixture	\$ 1,350.00
MOD-Z35-F-CM-XX	PoE (60W), flood optic, c-clamp-mount fixture	\$ 1,350.00



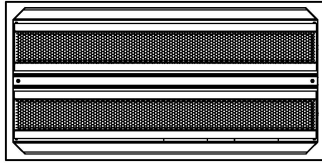
Note: Use BK for black finish, or WH for white finish to fill in the "XX" in the part numbers above.

Part Numbers shown are for 3500°K, use part number guide below for other color temperature options.

One Module Part Numbers

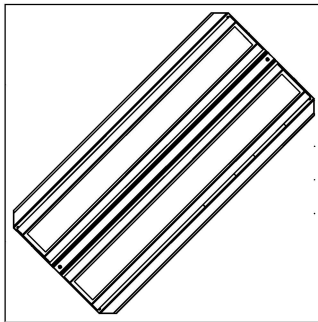
FLXT		-		-		-		
Flex-T	Module Qty		Dimming/Control		Optics		Sizing	Panel Options
	1 = one module		A = 0-10V (Analog)	Color Temperature/ Color Rendering Index	S = Spot	I = Inch	45 = 45° Mount	
			E = Lutron LDE1	30 = 3000K / 95+ CRI	F = Flood	M = Metric	No panel option is required for 6-in x 24-in fixtures	
			X = DALI	35 = 3500K / 95+ CRI				
			L = Low Voltage DMX (remote driver)	40 = 4000K / 95+ CRI				
			Z = PoE (60W)*	50 = 5000K / 95+ CRI				

* Consult factory to ensure PoE system compatibility.



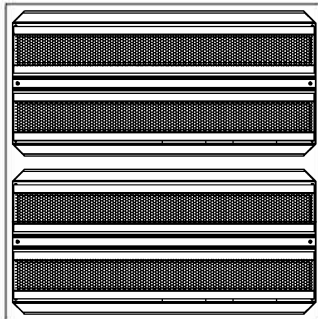
Dimming/Power Options	Module and Tile Option	MSRP
Low Voltage (remote driver)	two module fixture (12-in x 24-in)	\$ 1,670.00
0-10V (Analog)	two module fixture (12-in x 24-in)	\$ 1,740.00
PoE*	two module fixture (12-in x 24-in)	\$ 2,040.00
DALI	two module fixture (12-in x 24-in)	\$ 1,805.00
Lutron LDE1	two module fixture (12-in x 24-in)	\$ 1,805.00

* Consult factory to ensure PoE system compatibility.



Dimming/Power Options	Module and Tile Option	MSRP
Low Voltage (remote driver)	two module fixture (24-in x 24-in)	\$ 1,670.00
0-10V (Analog)	two module fixture (24-in x 24-in)	\$ 1,740.00
PoE*	two module fixture (24-in x 24-in)	\$ 2,040.00
DALI	two module fixture (24-in x 24-in)	\$ 1,805.00
Lutron LDE1	two module fixture (24-in x 24-in)	\$ 1,805.00

* Consult factory to ensure PoE system compatibility.



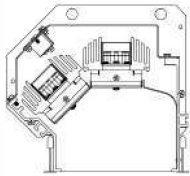
Dimming/Power Options	Module and Tile Option	MSRP
Low Voltage (remote driver)	four module fixture (24-in x 24-in)	\$ 3,100.00
PoE*	four module fixture (24-in x 24-in)	\$ 3,780.00
0-10V (Analog)	four module fixture (24-in x 24-in)	\$ 3,220.00
DALI	four module fixture (24-in x 24-in)	\$ 3,340.00
Lutron LDE1	four module fixture (24-in x 24-in)	\$ 3,340.00

* Consult factory to ensure PoE system compatibility.

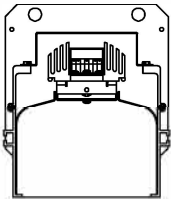
Two & Four Module Part Numbers

FLXT Flex-T	Module Qty	-	Dimming/Control	Color Temperature/ Color Rendering Index	-	Optics	-	Sizing	Panel Options
	2 = two Module								
	4 = four Module		E = Lutron LDE1	35 = 3500K / 95+ CRI		F = Flood		M = Metric	CM = Center Mount
			X = DALI	40 = 4000K / 95+ CRI					45 = 45° Mount
			L = Low Voltage DMX (remote driver)	50 = 5000K / 95+ CRI					OM = Offset Mount
			Z = PoE (60W)*						DD = Double Dome (4 Modules Only)

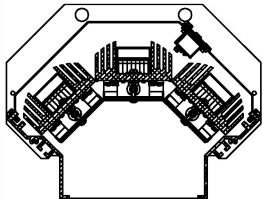
* Consult factory to ensure PoE system compatibility.



Video + Task



Task only



Double Video + Task

2-Foot Videoconference Fixture

Dimming/Power Options	1-Channel	2-Channel	3-Channel
0-10V (Analog)	\$ 1,320.00	\$ 1,740.00	\$ 2,055.00
DALI	\$ 1,355.00	\$ 1,815.00	\$ 2,300.00
Lutron LDE1	\$ 1,355.00	\$ 1,815.00	\$ 2,300.00
Low Voltage (remote driver)	\$ 1,280.00	\$ 1,725.00	\$ 1,950.00
PoE*	\$ 1,625.00	\$ 2,030.00	\$ 2,615.00

* Consult factory to ensure PoE system compatibility.

* For 2-ft x 2-ft 45° Panel add \$105.00 MSRP.

4-Foot Videoconference Fixture

Dimming/Power Options	1-Channel	2-Channel	3-Channel
0-10V (Analog)	\$ 1,735.00	\$ 2,415.00	\$ 3,495.00
DALI	\$ 1,825.00	\$ 2,555.00	\$ 3,710.00
Lutron LDE1	\$ 1,825.00	\$ 2,555.00	\$ 3,710.00
Low Voltage (remote driver)	\$ 1,550.00	\$ 2,150.00	\$ 3,050.00
PoE*	\$ 2,335.00	\$ 2,965.00	\$ 4,145.00

* Consult factory to ensure PoE system compatibility.

LVP	
Video Plus	Length
	2 = Two Foot
	4 = Four Foot

Dimming Protocol	Color Temperature
A = 0-10V	30 = 3000K / 95+ CRI
E = Lutron LDE1	35 = 3500K / 95+ CRI
X = DALI	40 = 4000K / 95+ CRI
L = Low Voltage DMX (remote driver)	50 = 5000K / 95+ CRI
Z = PoE (60W)*	

Video LED
V = Yes
0 = No

Task LED
T = Yes
0 = No

Video LED
V = Yes
0 = No

Panel Option (2-ft fixtures only)
I45 = Imperial 45°
M45 = Metric 45°

Notes:

Consult factory to ensure PoE system compatibility.
Consult factory for additional color temperatures.



Forward Throw Louver



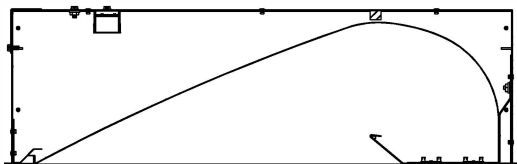
Corner Angle Throw Louver

Dimming/Power Options	MSRP
Low Voltage	\$ 1,250.00
0-10V (Analog)	\$ 1,440.00
DALI	\$ 1,500.00
Lutron LDE1	\$ 1,500.00
PoE*	\$ 1,695.00

* Consult factory to ensure PoE system compatibility.

LST						
Stealth-T	LEDs	Dimming Protocol	Voltage	Louver Style	Ceiling Type	Color Temperature/ Color Rendering Index
	6 = Six Rows (75W)	A = 0-10V	1 = 120V	FW = Forward Throw	IG= 24-in Lay-In Grid	30 = 3000K / 95+ CRI
		E = Lutron LDE1	2 = 230V	CA = Corner Throw	MG = 600-mm Lay-In Grid	35 = 3500K / 95+ CRI
		X = DALI	7 = 277V	BI = Bidirectional Throw	DW = Drywall	40 = 4000K / 95+ CRI
		L = Low Voltage DMX (remote driver)	U = L or Z Dimming only	DN = Downward Throw		50 = 5000K / 95+ CRI
		Z = PoE (60W)*				

* Consult factory to ensure PoE system compatibility.
Custom Finish is available for an additional fee. Add "CF" to the end of the part number.



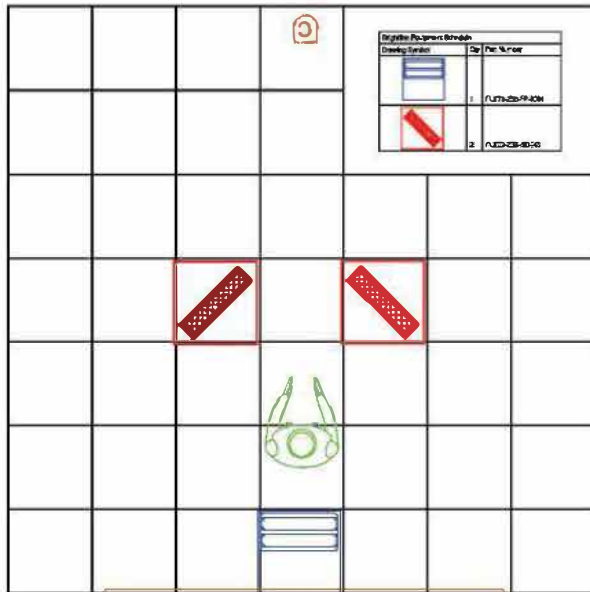
LVCI - Indirect

LVCI				
Indirect Videoconference	Dimming Protocol	Voltage	Color Temperature	
	A = 0-10V	1 = 120V	30 = 3000°K / 95+ CRI	
	E = Lutron LDE1	2 = 230V	35 = 3500°K / 95+ CRI	
	X = DALI	7 = 277V	40 = 4000°K / 95+ CRI	
	L = Low Voltage DMX (remote driver)	U = L or Z Dimming only	50 = 5000°K / 95+ CRI	
	Z = PoE (60W)*			

Dimming/Power Options	MSRP
Low Voltage DMX	\$ 1,075.00
0-10V (Analog)	\$ 1,275.00
DALI	\$ 1,385.00
Lutron LDE1	\$ 1,245.00
PoE*	\$ 1,500.00

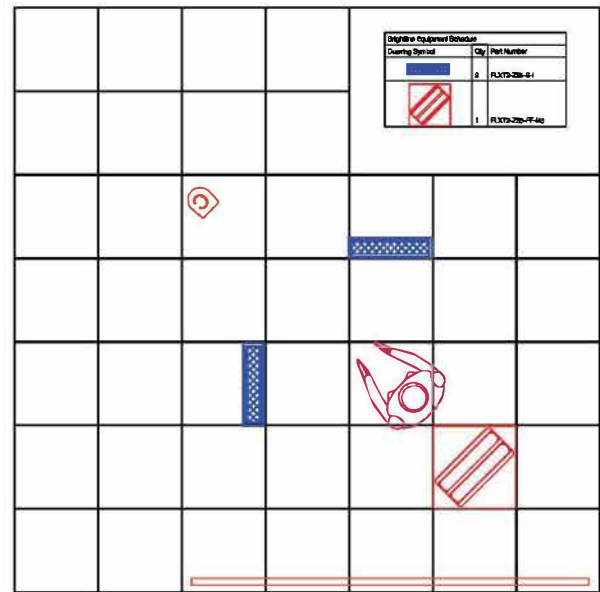
* Consult factory to ensure PoE system compatibility.

PoE Presenter Lighting Kit - Straight



- (2) Single Module 45-degree Flex-T
- (1) Double Module Offset Flex-T
- (1) PoE Control Unit
- (2) 2-button Wireless Control Station

PoE Presenter Lighting Kit - Corner



- (2) Single Module Flex-T
- (1) Double Module 45-degree Flex-T
- (1) PoE Control Unit
- (2) 2-button Wireless Control Station

Part Number	Description	MSRP
POE-STR-LEC-2RU-XX	Presenter Lighting Kit - Straight	\$ 5,995.00
POE-CRN-LEC-2RU-XX	Presenter Lighting Kit - Corner	\$ 5,995.00

Note: Replace "XX" with color choice from the below list:

- 30 = 3000°K
- 35 = 3500°K
- 40 = 4000°K
- 50 = 5000°K



Fixtures

Dimming Options	Power	3200°K or 5600°K	Variable White
Wired DMX	L1.2 (108 watts)	\$ 2,675.00	\$ 2,725.00
Wireless DMX	L1.2 (108 watts)	\$ 2,925.00	\$ 2,925.00



L1.2 Fixture Accessories		
Part Number	Description	MSRP
GF-2	fixture-mounted gel frame for L1.2	\$ 55.00
FIX-2/CS-BF	fixture-mounted control screen for L1.2 - broad field	\$ 80.00
FIX-2/CS-MF	fixture-mounted control screen for L1.2 - medium field	\$ 95.00
FIX-2/CS-NF	fixture-mounted control screen for L1.2 - narrow field	\$ 110.00
INT-2	intensifier for L1.2	\$ 250.00
GF-INT-2	gel frame for L1.2 intensifier	\$ 55.00
INT-2/CS-BF	intensifier-mounted control screen for L1.2 - broad field	\$ 120.00
INT-2/CS-MF	intensifier-mounted control screen for L1.2 - medium field	\$ 140.00
INT-2/CS-NF	intensifier-mounted control screen for L1.2 - narrow field	\$ 155.00

L	SeriesONE	Power Option	Ballast Type	Voltage	Color Temperature	Yoke Type
		1.2 = 125 Watts	X = DMX/RDM	1 = 120V	32 = 3200K CCT	H = Horizontal
		1.4 = 262 Watts		2 = 230V	56 = 5600K CCT	V = Vertical
					VW= Variable White	C = Compact

Note: For Wireless DMX, add -RF to the end of the part number.



Fixtures

Dimming Options	Power	3200°K or 5600°K	Variable White
Wired DMX	L1.4 (262 watts)	\$ 3,700.00	\$ 3,545.00
Wireless DMX	L1.4 (262 watts)	\$ 3,950.00	\$ 3,745.00

L1.4 Fixture Accessories		
Part Number	Description	MSRP
GF-1	fixture-mounted gel frame for L1.4	\$ 65.00
FIX-1/CS-BF	fixture-mounted control screen for L1.4 - broad field	\$ 110.00
FIX-1/CS-MF	fixture-mounted control screen for L1.4 - medium field	\$ 125.00
FIX-1/CS-NF	fixture-mounted control screen for L1.4 - narrow field	\$ 140.00
INT-1	intensifier for L1.4	\$ 300.00
GF-INT	gel frame for L1.4 intensifier	\$ 85.00
INT-1/CS-BF	intensifier-mounted control screen for L1.4 - broad field	\$ 160.00
INT-1/CS-MF	intensifier-mounted control screen for L1.4 - medium field	\$ 190.00
INT-1/CS-NF	intensifier-mounted control screen for L1.4 - narrow field	\$ 220.00

L				-		-	
SeriesONE	Power Option	Ballast Type	Voltage		Color Temperature		Yoke Type
	1.2 = 125 Watts	X = DMX/RDM	1 = 120V		32 = 3200K CCT		H = Horizontal
	1.4 = 262 Watts		2 = 230V		56 = 5600K CCT		V = Vertical
					VW= Variable White		C = Compact



Lupo DayLED Fresnel Fixtures

Part Number	Fixture Description	MSRP
LL650-VW-CM	Lupo DayLED 650, variable white, clamp mount	\$ 1,695.00
LL650-VW-SM	Lupo DayLED 650, variable white, stand mount	\$ 1,695.00
LL1000-VW-CM	Lupo DayLED 1000, variable white, clamp mount	\$ 1,995.00
LL1000-VW-SM	Lupo DayLED 1000, variable white, stand mount	\$ 1,995.00
LL2000-VW-CM	Lupo DayLED 2000, variable white, clamp mount	\$ 2,695.00
LL2000-VW-SM	Lupo DayLED 2000, variable white, stand mount	\$ 2,695.00

Lupolux DayLED Fixture Accessories

Part Number	Accessory Description	MSRP
LL-V-MNT-ADPT-PLT-ASSY	v-mount adapter plate (includes plate and 2-pin D-Tap power cable)	\$ 145.00
LL-YOKE-MNT-BAT-BAG-2000-ASSY	battery pack bags for yoke mounting	\$ 125.00
LL-SOFTBOX	Softbox for Frennels	\$ 430.00
LL-EGGCRATE	Egg Crate Grid for SoftBox for Dayled & Superpanel 30	\$285.00
LL-PDD-BAG	padded bag	\$ 115.00
LL-POLE-OPRTD-YOKE	Pole Operated Yoke for DayLED	\$ 400.00
LL-FH-650	DayLED 650 Filter Holder	\$ 45.00
LL-FH-1000	DayLED 1000 Filter Holder	\$ 50.00
LL-FH-2000	DayLED 2000 Filter Holder	\$ 70.00

580 Mayer Street - Building # 7 - Bridgeville, PA 15017 USA

Phone: 1.412.206.0106

www.brightlines.com



Lupo Superpanel Fixtures

Part Number	Fixture Description	MSRP
LLSP30-FC-CM	Full Color 30, C-Clamp Mount (use "-SM" for Stand Mount)	\$ 2,325.00
LLSP30-SFC-CM	Full Color 30 - Soft, C-Clamp Mount (use "-SM" for Stand Mount)	\$ 2,325.00
LLSP30-DC-CM	Dual Color 30, C-Clamp Mount (use "-SM" for Stand Mount)	\$ 1,595.00
LLSP30-SDC-CM	Dual Color 30 - Soft, C-Clamp Mount (use "-SM" for Stand Mount)	\$ 1,595.00
LLSP60-FC-CM	Full Color 60, C-Clamp Mount (use "-SM" for Stand Mount)	\$ 3,880.00
LLSP60-SFC-CM	Full Color 60 - Soft, C-Clamp Mount (use "-SM" for Stand Mount)	\$ 3,745.00
LLSP60-DC-CM	Dual Color 60, C-Clamp Mount (use "-SM" for Stand Mount)	\$ 2,475.00
LLSP60-SDC-CM	Dual Color 60 - Soft, C-Clamp Mount (use "-SM" for Stand Mount)	\$ 2,475.00

Lupo Superpanel Fixture Accessories

Part Number	Accessory Description	MSRP
LLSP-V-MNT-ADPT-PLT-ASSY	v-mount adapter plate (Includes plate and 2-pin D-Tap power cable)	\$135.00
LLSP30-PDD-BAG	padded bag for Superpanel 30	\$ 125.00
LLSP30-DFFSR	diffuser for Superpanel 30	\$ 75.00
LLSP30-BRNDNS	removable barndoors for Superpanel 30	\$ 245.00
LLSP30-POLE-OPRTD-YOKE	Pole Operated Yoke for Superpanel 30	\$385.00
LLSP30-SOFTBOX	Softbox for Superpanel 30	\$ 175.00
LLSP30-EGGCRATE-SOFT	Egg Crate Grid for Superpanel 30 Soft	\$ 265.00
LLSP60-PDD-BAG	Padded Bag for SuperPanel 60	\$165.00
LLSP60-BRNDNS	Barndoors for SuperPanel 60	\$375.00
LLSP60-SOFTBOX	Soft Box for SuperPanel 60	\$ 2 25.00
LLSP60-EGGCRATE	Egg Crate for SuperPanel 60	\$ 295.00

580 Mayer Street - Building # 7 - Bridgeville, PA 15017 USA

Phone: 1.412.206.0106

www.brightlines.com

Power and Control-Signal Distribution

Part Number	Description	MSRP
BL-Dali-Gateway	DALI Gateway, 120-230V w/power supply	\$ 800.00
BL-Dali-Wallstation	DALI Wallstation, White or Black	\$ 275.00
4C-D/DMX-L-BX	4-channel distribution box DMX-DALI with XLR-3F connectors out, 120 VAC	\$ 1,055.00
4C-DALI/DMX-BX	4-Channel DALI to DMX box, 120 VAC	\$ 895.00
BL-CC8/16-N	control console 8/16, 2 presets, 8 memory scenes, 2 chases, NSI DMX installed	\$ 855.00
BL-CC16/32-N	control console 16/32, 2 presets, 16 memory scenes, 2 chases, NSI DMX installed	\$1,180.00
BL-CC24/48-N	control console 24/48, 2 presets, 24 memory scenes, 2 chases, NSI DMX installed	\$1,530.00

DALI Cables

Part Number	Description	MSRP
DTX-5	5-ft DALI control cable, plenum rated, with male and female 3-pin XLR connectors	\$ 30.00
DTX-15	15-ft DALI control cable, plenum rated, with male and female 3-pin XLR connectors	\$ 40.00
DTX-25	25-ft DALI control cable, plenum rated, with male and female 3-pin XLR connectors	\$ 50.00
DTX-50	50-ft DALI control cable, plenum rated, with male and female 3-pin XLR connectors	\$ 70.00
DTX-100	100-ft DALI control cable, plenum rated, with male and female 3-pin XLR connectors	\$ 130.00
DTX-25/BL-F	25-ft DALI control cable, plenum rated, with female 3-pin connector to bare leads	\$ 40.00
DTX-25/BL-M	25-ft DALI control cable, plenum rated, with male 3-pin connector to bare leads	\$ 40.00
DTX-50/BL-F	50-ft DALI control cable, plenum rated, with female 3-pin connector to bare leads	\$ 65.00
DTX-50/BL-M	50-ft DALI control cable, plenum rated, with male 3-pin connector to bare leads	\$ 65.00
DTX-100/BL-F	100-ft DALI control cable, plenum rated, with female 3-pin connector to bare leads	\$ 120.00
DTX-100/BL-M	100-ft DALI control cable, plenum rated, with male 3-pin connector to bare leads	\$ 120.00

DMX Cables

Part Number	Description	MSRP
MTX5-5	5-ft, DMX control cable with male and female 5-pin connectors	\$ 35.00
MTX5-10	10-ft, DMX control cable with male and female 5-pin connectors	\$ 45.00
MTX5-15	15-ft, DMX control cable with male and female 5-pin connectors	\$ 55.00
MTX5-25	25-ft, DMX control cable with male and female 5-pin connectors	\$ 65.00
MTX5-50	50-ft, DMX control cable with male and female 5-pin connectors	\$ 90.00
MTX5-75	75-ft, DMX control cable with male and female 5-pin connectors	\$ 175.00
MTX5-100	100-ft, DMX control cable with male and female 5-pin connectors	\$ 195.00

4PPoE Control Cables

Part Number	Description	MSRP
POE-CBL-4P-25	4PPoE cable, 25-ft, black	\$ 70.00
POE-CBL-4P-50	4PPoE cable, 50-ft, black	\$ 85.00
POE-CBL-4P-75	4PPoE cable, 75-ft, black	\$ 100.00
POE-CBL-4P-100	4PPoE cable, 100-ft, black	\$ 120.00

580 Mayer Street - Building # 7 - Bridgeville, PA 15017 USA

Phone: 1.412.206.0106

www.brightlines.com

Drywall Frame Kits

Part Number	Nominal Dimensions	Cut-Out Dimensions	MSRP
016-228	24-in x 24-in, imperial, white	24 9/32-in x 24 9/32-in	\$ 100.00
016-228-CF	24-in x 24-in, imperial, custom finish	24 9/32-in x 24 9/32-in	\$ 105.00
016-229	24-in x 12-in, imperial, white	24 9/32-in x 12 9/32-in	\$ 85.00
016-229-CF	24-in x 12-in, imperial, custom finish	24 9/32-in x 12 9/32-in	\$ 90.00
016-347	600-mm x 300-mm, metric, white	610-mm x 310-mm	\$ 85.00
016-347-CF	600-mm x 300-mm, metric, custom finish	610-mm x 310-mm	\$ 90.00
016-348	600-mm x 600-mm, metric, white	610-mm x 610-mm	\$ 100.00
016-348-CF	600-mm x 600-mm, metric, custom finish	610-mm x 610-mm	\$ 105.00
016-354	600-mm x 150-mm, metric, white	610-mm x 160-mm	\$ 85.00
016-354-CF	600-mm x 150-mm, metric, custom finish	610-mm x 160-mm	\$ 90.00
016-355	24-in x 6-in, imperial, white	24 9/32-in x 6 9/32-in	\$ 70.00
016-355-CF	24-in x 6-in, imperial, custom finish	24 9/32-in x 6 9/32-in	\$ 75.00
016-356	1200-mm x 150-mm, metric, white	1210-mm x 160-mm	\$ 125.00
016-356-CF	1200-mm x 150-mm, metric, custom finish	1210-mm x 160-mm	\$ 130.00
016-357	48-in x 6-in, imperial, white	48 9/32-in x 6 9/32-in	\$ 125.00
016-357-CF	48-in x 6-in, imperial, custom finish	48 9/32-in x 6 9/32-in	\$ 130.00

Studio Mounting Options & Grid Equipment

Part Number	Description	MSRP
005-100-P	horizontal yoke kit, includes horizontal yoke and hardware	\$ 100.00
005-101-P	vertical yoke kit, includes vertical yoke, mounting buckets, and hardware	\$ 130.00
005-111-P	compact yoke kit, includes compact yoke, mounting brackets, and hardware	\$ 65.00
016-112-P	1- to 2-ft adjustable hanger, medium weight, black finish, with stirrup	\$ 235.00
016-113-P	2- to 4-ft adjustable hanger, medium weight, black finish, with stirrup	\$ 255.00
016-114-P	3- to 6-ft adjustable hanger, medium weight, black finish, with stirrup	\$ 270.00
016-115-P	4- to 8-ft adjustable hanger, medium weight, black finish, with stirrup	\$ 285.00
016-118-P	5- to 10-ft adjustable hanger, medium weight, black finish, with stirrup	\$ 292.00
016-100-P	option for spud (TVMP adapter) with yoke notch	\$ 55.00
016-110-P	option for spud (TVMP adapter) without yoke notch	\$ 50.00
023-107-P	option for 12-ft power cord with stage-pin plug	\$ 30.00
023-108-P	option for 12-ft power cord with 20-amp twist-lock (L5-20P) plug	\$ 30.00

580 Mayer Street - Building # 7 - Bridgeville, PA 15017 USA

Phone: 1.412.206.0106

www.brightlines.com